

NITTO EPTSEALER

EE-1000 Series

Foam sealing material with superior resistance to weather, cold, heat and chemicals.



Semi-closed cell structure

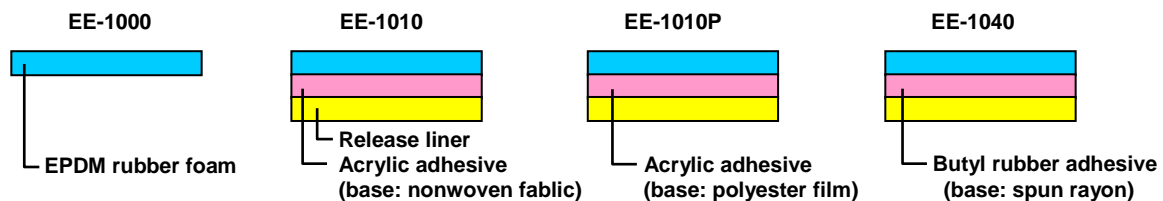
Outline

NITTO EPTSEALER foam sealing material to fill cavities of various types of equipment, consisting of EPDM synthetic rubber foam with a semi-closed cell structure. Higher compression foams are available for various purposes such as waterproof, windproof, dustproof, soundproof, or thermal insulation according to the compression ratio.

Features

- Superior durability and weather-resistance cold/heat test (-20°C to 100°C), and chemical resistance (acids and alkalis).
- As compressive load (stress) is small, it will not deform the structure after filling in joints.
- Easy to compress and apply.
- Low specific gravity of 0.11; Application and preservation easy as foam pieces do not fuse together.

Structure



Standard Size

Thickness (mm)	Width (mm)	Length(m)
3~20 (EE-1010 1010P 1040 3~25)	1000	2

Doc No. EPT-023-E-4 2015/02/27 1/5

Notes: This data represents examples of measured values, and not guaranteed values. They do not guarantee compatibility with the applications described in these documents. Please confirm compatibility with your application prior to use. We retain all rights, including copyrights, for the contents of these documents. Copying, reprinting and use for purposes other than originally intended are strictly prohibited without our prior expressed permission. Contact details are provided at the end of this document. Please do not hesitate to contact us for any inquiry.

Applications

- Water-proofing, air sealing, soundproofing and thermal insulation for air conditioners and air cleaners.
- For mounting of cowl louvers.
- For mounting of center pillars.
- For mounting of mirrors.

Properties

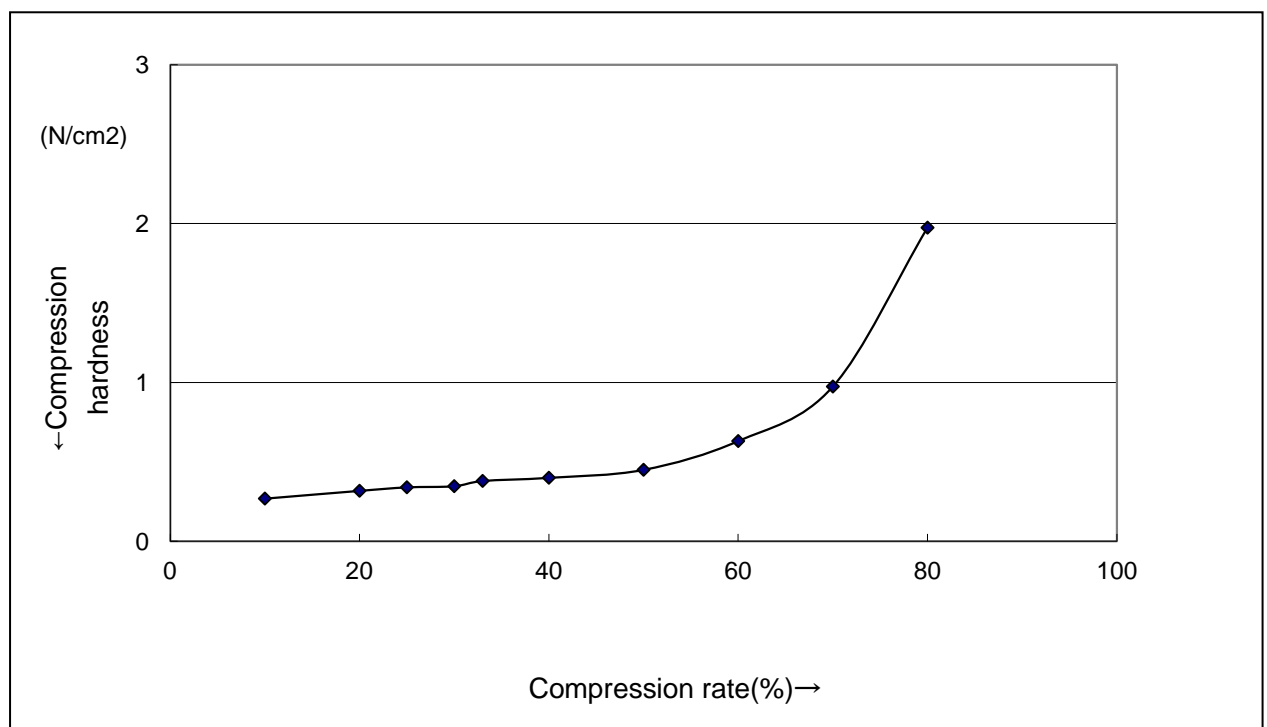
Conform to JIS K 6767

Product No.	Specific gravity (g/cm ³)	Tensile strength (N/cm ²)	Elongation (%)	Compressive hardness (N/cm ²)	
				25%	50%
EE-1000Series	0.11	8.0	450	0.33	0.45

*The above values are sample observed values, not the guaranteed performance.

● Compression Ratio vs. Compression Hardness Relations

$$\text{Compression rate (\%)} = \frac{\text{thickness before compression} - \text{thickness after compression}}{\text{thickness before compression}} \times 100$$



Doc No. EPT-023-E-4 2015/02/27 2/5

Notes: This data represents examples of measured values, and not guaranteed values. They do not guarantee compatibility with the applications described in these documents. Please confirm compatibility with your application prior to use. We retain all rights, including copyrights, for the contents of these documents. Copying, reprinting and use for purposes other than originally intended are strictly prohibited without our prior expressed permission. Contact details are provided at the end of this document. Please do not hesitate to contact us for any inquiry.

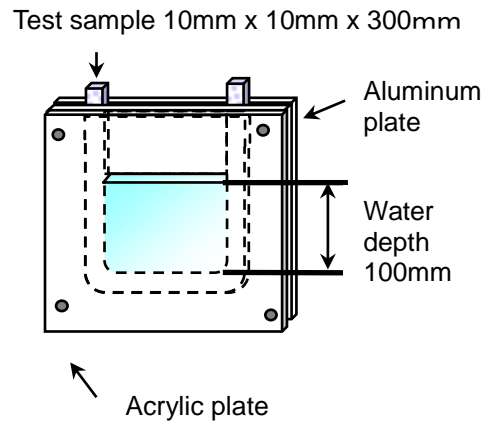
● Compression rate vs. Watertightness Relations

Compression(%)	EE-1000
60	×
70	△
80	○
90	○

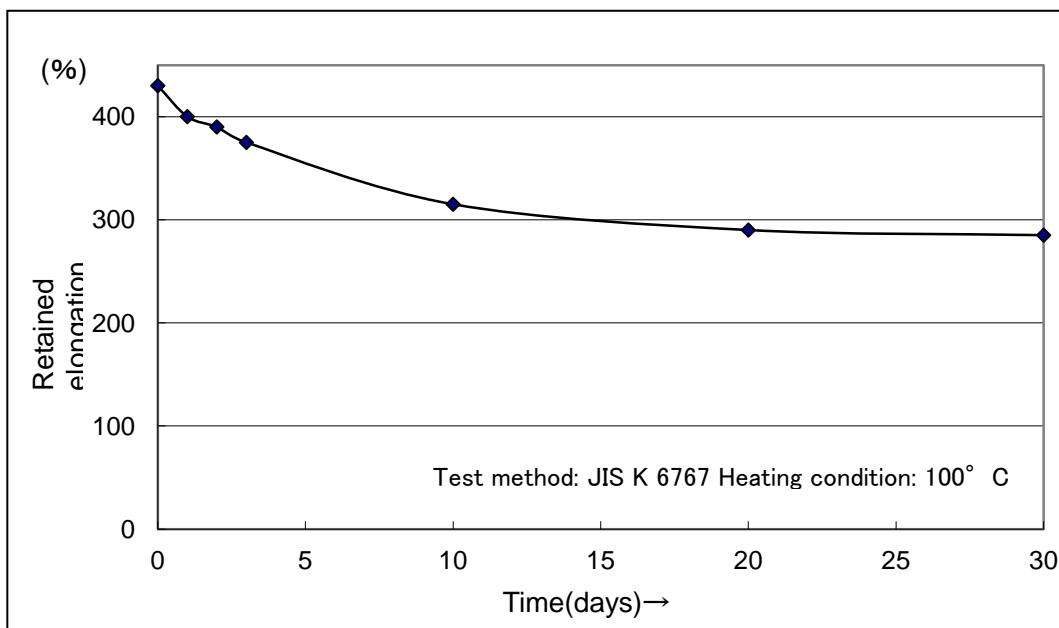
○ : No water leakage after 30min
 △ : Water leakage within 30min
 × : Water leakage within 10min

Note

U-shaped 10mm thickness and wide test specimens were punched out and placed between acrylic and aluminum plates for compression to a preset load. Then the text specimens were filled with water to the depth of 100mm, and checked for leakage.



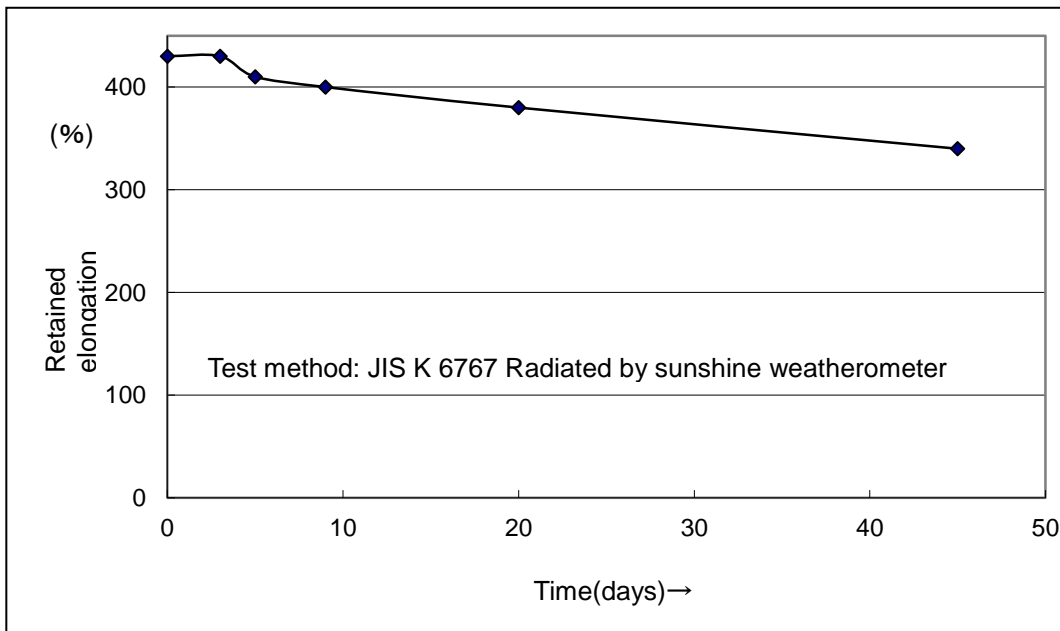
● Heat Resistance



Doc No. EPT-023-E-4 2015/02/27 3/5

Notes: This data represents examples of measured values, and not guaranteed values. They do not guarantee compatibility with the applications described in these documents. Please confirm compatibility with your application prior to use. We retain all rights, including copyrights, for the contents of these documents. Copying, reprinting and use for purposes other than originally intended are strictly prohibited without our prior expressed permission. Contact details are provided at the end of this document. Please do not hesitate to contact us for any inquiry.

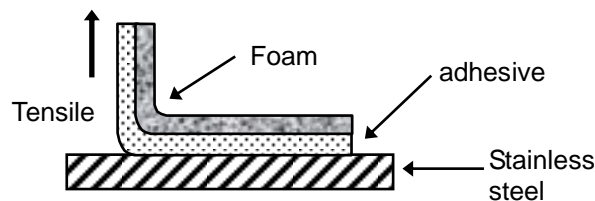
● Weatherability



● Peeling Adhesive

N/15mm

EE-1010	EE-1010P	EE-1040
6.9	6.2	12.7



Test method

A 15mm wide piece of foam/tape is applied to stainless steel with a 2kg roller passed back and force once. After allowing it to set for 30minutes, adhesive strength is measured by peeling the foam/tape at a 90° angle.

Pulling rate: 300mm/min. Measurement temperature : Room temperature

Doc No. EPT-023-E-4 2015/02/27 4/5

Notes: This data represents examples of measured values, and not guaranteed values. They do not guarantee compatibility with the applications described in these documents. Please confirm compatibility with your application prior to use. We retain all rights, including copyrights, for the contents of these documents. Copying, reprinting and use for purposes other than originally intended are strictly prohibited without our prior expressed permission. Contact details are provided at the end of this document. Please do not hesitate to contact us for any inquiry.

Precautions

- Wipe oil, moisture, and dust off the surface of adherends thoroughly before application.
- When processing foam/synthetic resin adhesive into ribbons, make sure to cut and process it in lengthwise. If it is cut in widthwise, the tape may stretch when using.
- When processing foam/ butyl rubber adhesive into ribbons, make sure to cut and process it in lengthwise and widthwise. If it is cut diagonally, the tape may stretch when using.
- The adhesive is pressure-sensitive. Handle it with utmost care.
- Most recommended temperature for adhesion is above 10°C. (If the temperature is below 10°C(like in winter), their initial adhesive strength will be low.)
- Place the original roll of these products horizontally for storage to avoid deformation.
- Keep the products away from high temperatures and humidity, and store them in a dark cool place avoiding direct sunlight.
- The numbers in this data sheet are typical measurements in our laboratory, and not guaranteed values.
- Make sure the product is suitable for the application (objective and conditions) before attempting to use. The tape may come off depending on the substrate to which it is applied or conditions under which it is applied.

Doc No. EPT-023-E-4 2015/02/27 5/5

Notes: This data represents examples of measured values, and not guaranteed values. They do not guarantee compatibility with the applications described in these documents. Please confirm compatibility with your application prior to use. We retain all rights, including copyrights, for the contents of these documents. Copying, reprinting and use for purposes other than originally intended are strictly prohibited without our prior expressed permission. Contact details are provided at the end of this document. Please do not hesitate to contact us for any inquiry.