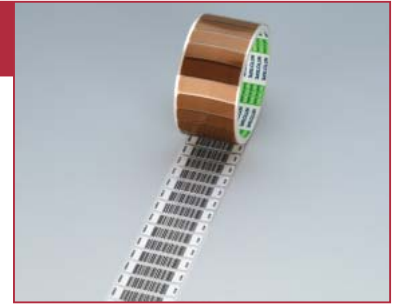


DURATAACK PG

Labels for tire manufacturing process

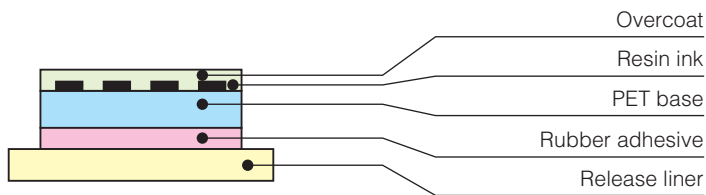
DURATAACK PG labels adhere well to rubber. Because they adhere well to rubber through the vulcanization process after being applied, the labels facilitate tire inspection and distribution management from sorting to shipment.



Features

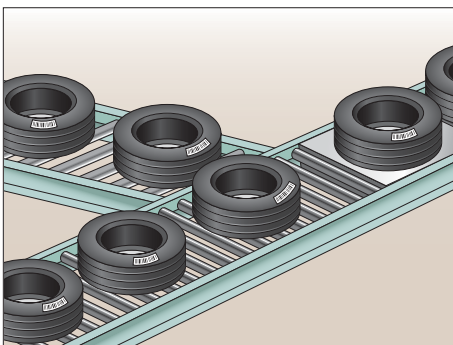
- Adheres well to rubber (fuses with rubber during the vulcanizing process).
- No mold contamination during vulcanizing.
- Barcode labels with variable information can be prepared by thermal transfer.

Structure



Applications

- Labels for manufacturing process for automobile tires
- Labels for arrangement and management of rubber belts



Process management for automobile tires.

Specifications

No.	Base material	Base material thickness (μm)	Color	Ink ribbon
PG	Polyester	167	White	DURAINK DLH